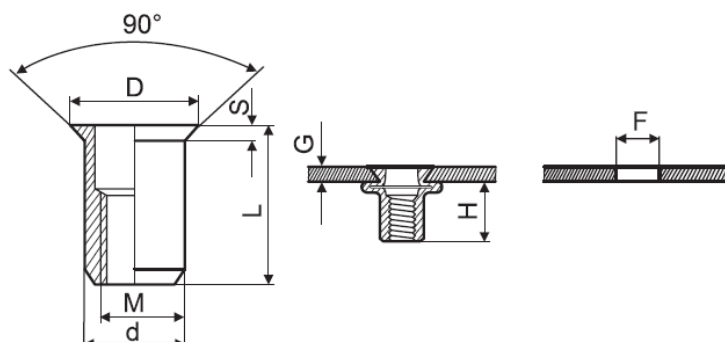


**Nýtovací matice hladká se zapuštěnou
hlavou CK-CO**
OCEL Zinek Bílý



DIN:
ČSN:
ISO:



| M | Svěrná tloušťka | F +0,1 | L | D | d | S | H | kód Fastek |
|------------|-----------------|-----------|------|------|------|-----|------|-------------|
| M4 | 1,5-3,0 | 6,0 | 12,0 | 9,0 | 5,9 | 1,5 | 6,5 | 9MCKCO4012S |
| M5 | 1,5-3,5 | 7,0 | 13,0 | 10,0 | 6,9 | 1,5 | 7,5 | 9MCKCO5013S |
| M6 | 1,5-4,0 | 9,0 | 15,5 | 12,0 | 8,9 | 1,5 | 9,0 | 9MCKCO6015S |
| M8 | 2,0-4,5 | 11,0 | 18,5 | 14,0 | 10,9 | 1,5 | 11,0 | 9MCKCO8018S |
| M10 | 2,0-5,0 | 13,0 | 21,0 | 16,0 | 12,9 | 1,5 | 13,0 | 9MCKCOX021S |